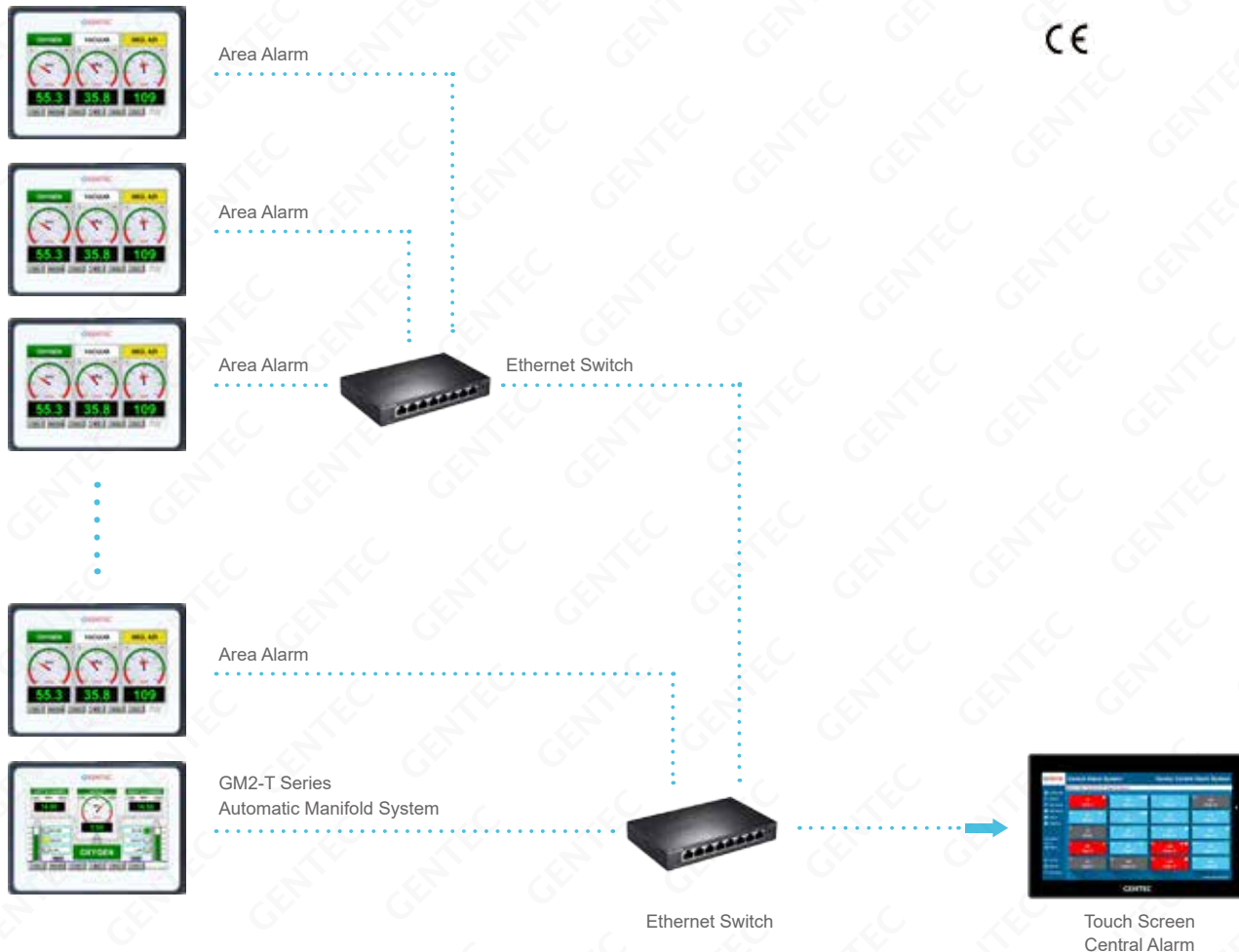


## GM100M-CA156 CENTRAL ALARM SYSTEM

GENTEC® GM100M-CA156 central alarm system brings all compatible alarms to an user friendly screen and interface.



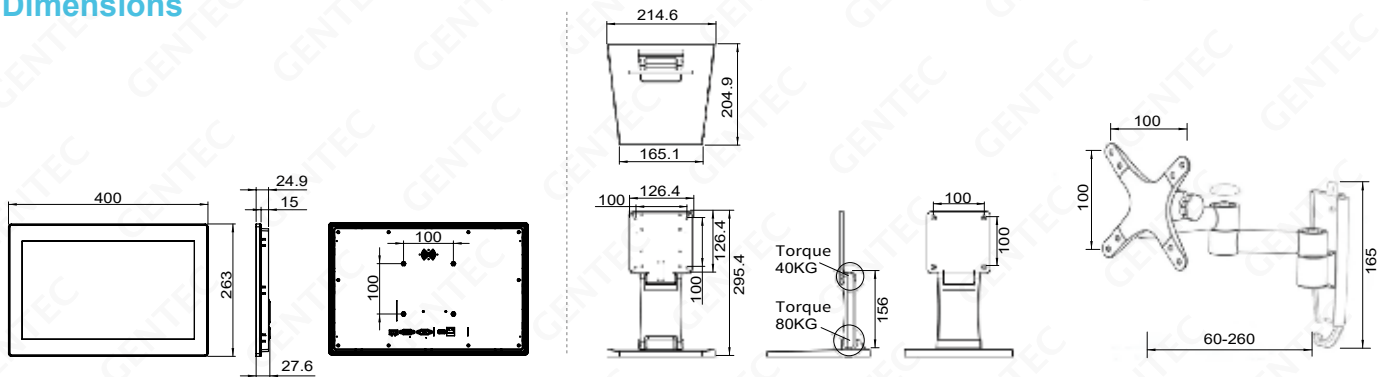
### Features

- Combines the functions of a central alarm panel and a central monitoring system
- Can connect to another central alarm host within the same local area network, expanding surveillance and control capabilities
- Integrates the alarm status of all connected zones and on-site alarm devices into a single interface. The CA156 relays the status of the alarms and has audible alarms of monitored zones to quickly alert building management when they occur
- Connects to zone and on-site alarm devices using Modbus-TCP
- Customizable display names for monitored alarms and devices without the need for additional equipment
- Allows the configuration and modification of various parameters of the connected zone and on-site alarm devices
- All parameter settings come with password protection
- Features touchscreen operation
- Provides alarm state testing and audible alarm testing to confirm proper functionality
- Includes a historical event log for viewing alarm event records, supporting up to 10,000 entries, and supporting data export to a USB drive
- Provides Modbus-TCP or Modbus-RTU Integration with Hospital Management Systems for simultaneous real time monitoring of area and master alarms and data integration of event logs

## Parameters

|                       |                                   |  |
|-----------------------|-----------------------------------|--|
| Model                 | GM100M-CA156                      |  |
| Display               | Monitor                           | 15.6" Wide Viewing Angle (WVA)                         |
|                       | Resolution                        | 1920 * 1080  |
|                       | Backlight Type                    | LED  |
|                       | Backlight Lifespan                | > 30,000 h   |
|                       | Colors                            | 16.2 M   |
| Touch Panel Type      | Type                              | Capacitive Touch Panel                                 |
| Power                 | Input Power                       | 24V ± 20% VDC  |
|                       | Power Isolation                   | Built - in   |
|                       | Power Consumption                 | 0.9 A @ 24VDC  |
|                       | Voltage Endurance                 | 500VAC (1 minute)                                      |
|                       | Insulation Resistance             | Over 50MΩ at 500VDC                                    |
| Operating Environment | Protection Level                  | NEMA4/IP66 Compliant Front Panel                       |
|                       | Storage Environment Temperature   | -4°F ~ 140°F ( -20°C ~ 60°C )                          |
|                       | Operating Environment Temperature | 32°F ~ 122°F ( 0°C ~ 50°C )                            |
|                       | Relative Environmental Humidity   | 10% ~ 90% (non-condensing)                             |
| Communication         | Modbus TCP                        | 10/100/1000M Auto-select                               |
| Specifications        | Casing Material                   | Front Panel: Engineering Plastic, Back Cover: Aluminum |
|                       | Installation Method               | Wall Mount: VESA Wall Mount 100*100 mm, Desktop Mount  |
| Certification         | CE                                | CE Marked  |

## Dimensions



## Ordering Information

| GM100M-CA156  | - 12  | - W  |
|---------------|---|--|
| Series Number | Number of Area Alarms   | Installation   |
| GM100M-CA156  | 12 units of Area Alarms<br>20 units of Area Alarms<br>30 units of Area Alarms | W: Wall Mount<br>D: Desktop Mount<br>C: Wall and Desktop Mount |